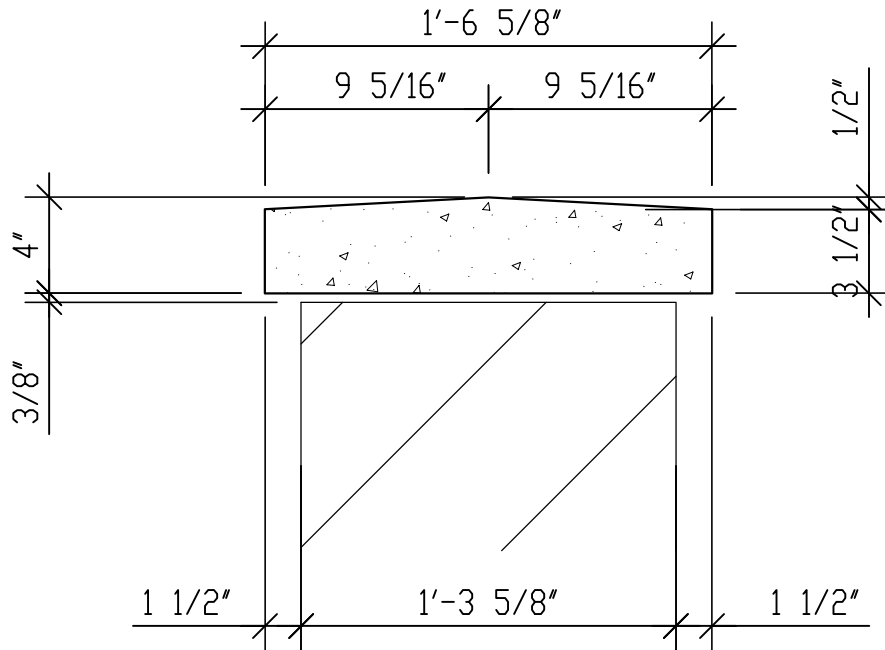


PLAN 1 1/2" = 1'-0"



SECTION 1 1/2" = 1'-0"

**AnchorArt**

Column Cap, 4" high, 16"sq. column

quantity

sample

115lbs.

CC 04 16