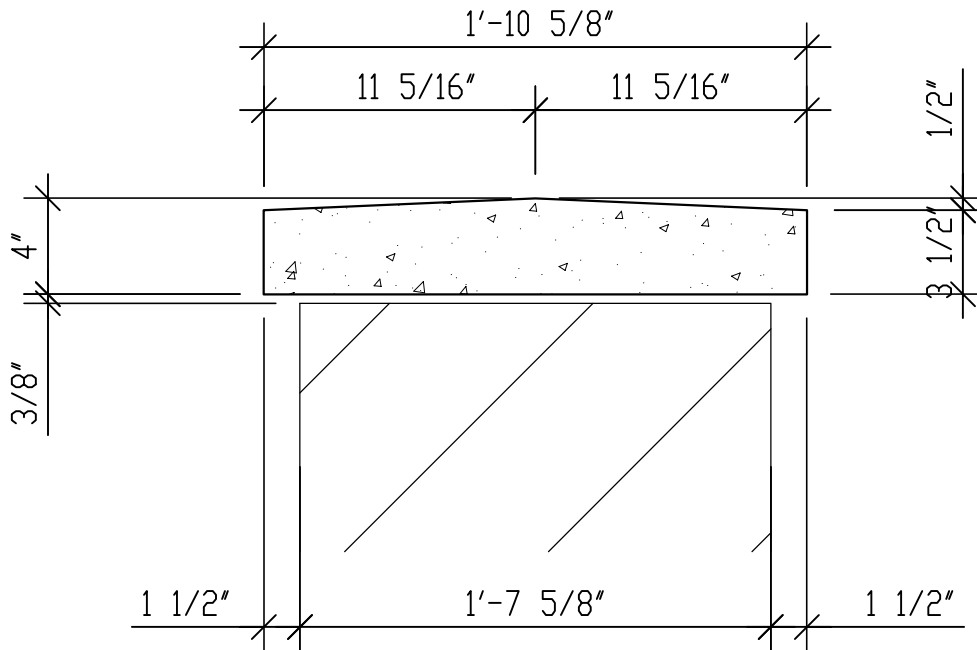


PLAN 1 1/2" = 1'-0"



SECTION 1 1/2" = 1'-0"

AnchorArt

Column Cap, 4" high, 20"sq. column

quantity

sample

167lbs.

CC 04 20