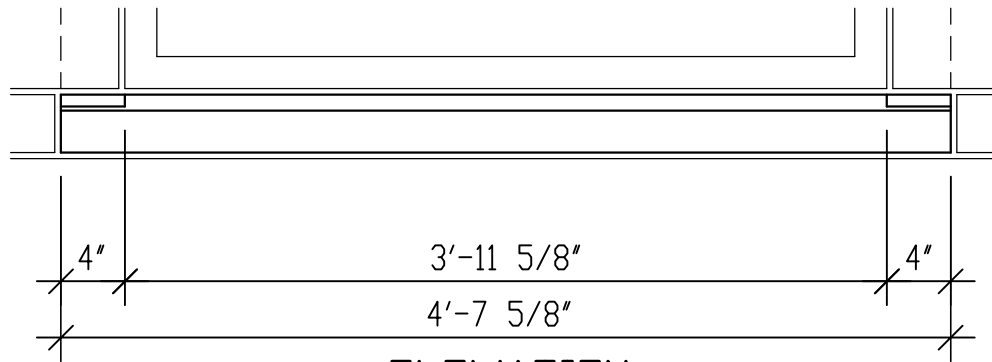
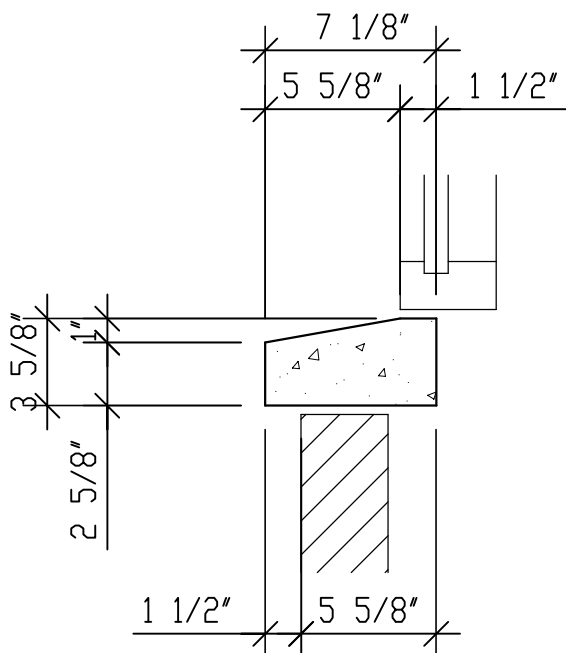


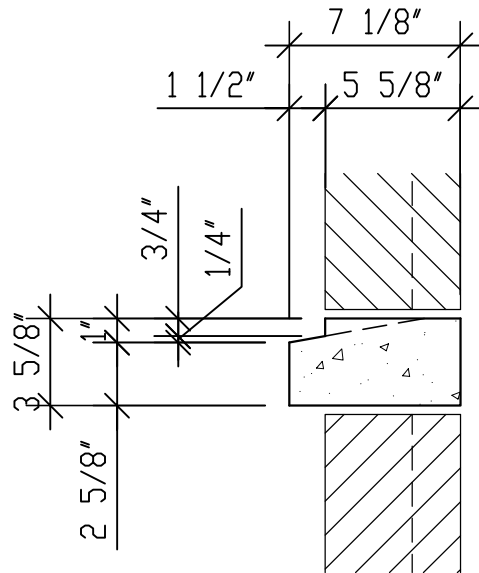
PLAN



ELEVATION



SECTION 1



SECTION 2

AnchorArt

Lug sill, 4" high, 6" dp, 48" m.o.

quantity

sample

112lbs.

LS040648