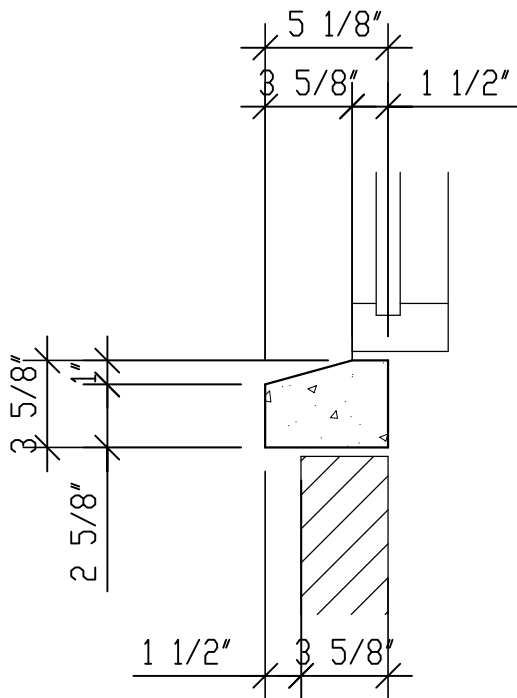


PLAN



SECTION

AnchorArt

Slip sill, 4" high, 4" dp, 32" m.o.

quantity

sample

53 lbs.

SS040432