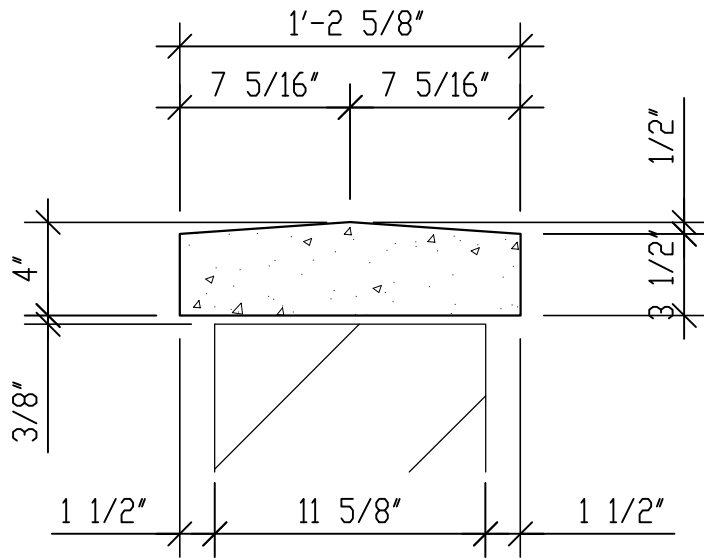
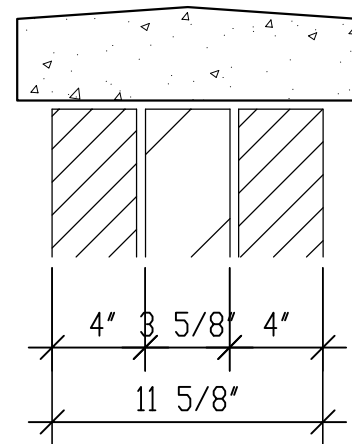


PLAN



SECTION 1



SECTION 2

**AnchorArt**

Wall cap, 4" high, 12" wall, finished end

quantity

sample

227lbs.

WC 04 12F