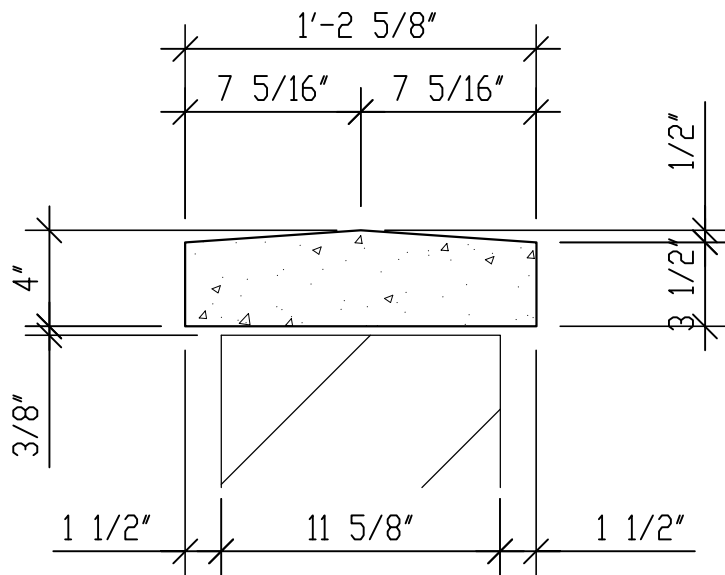
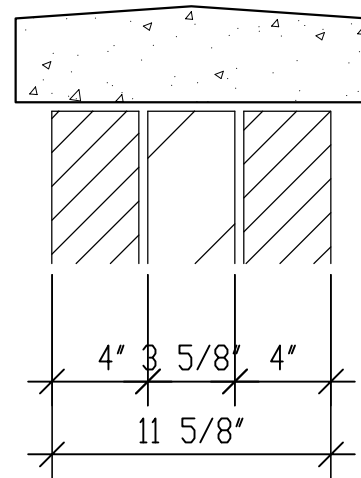


PLAN



SECTION 1



SECTION 2

AnchorArt

Wall cap, 4" high, 12" wall, straight

quantity

sample

227lbs.

WC 04 12S