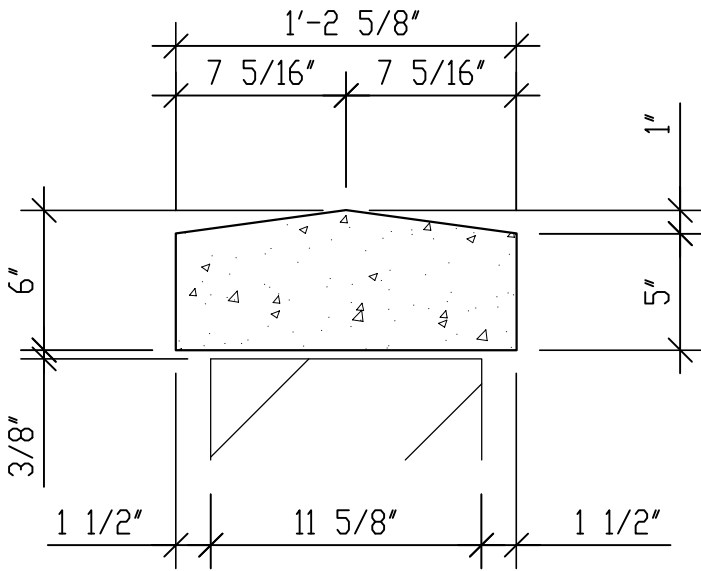
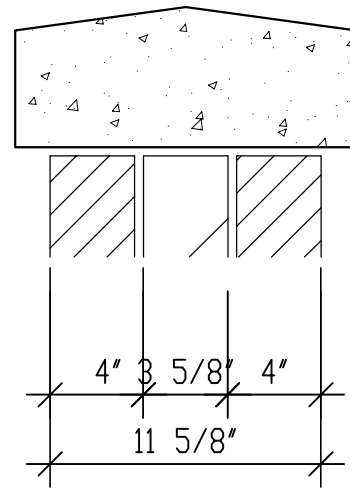


PLAN



SECTION 1



SECTION 2

**AnchorArt**

Wall cap, 6" high, 12" wall, straight

quantity

sample

333lbs.

WC 06 12S