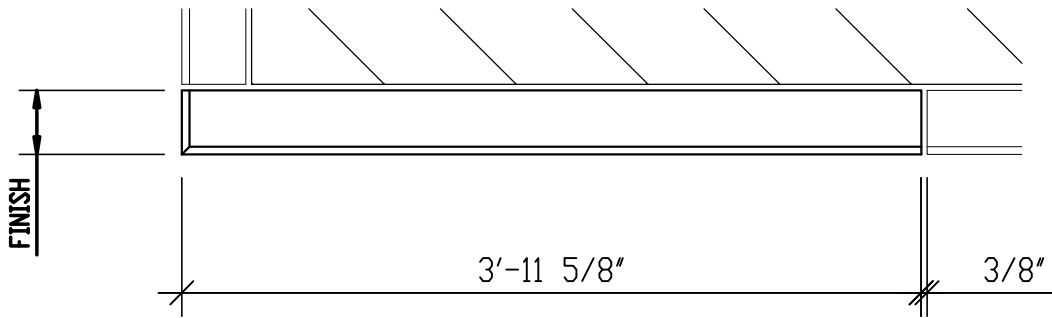
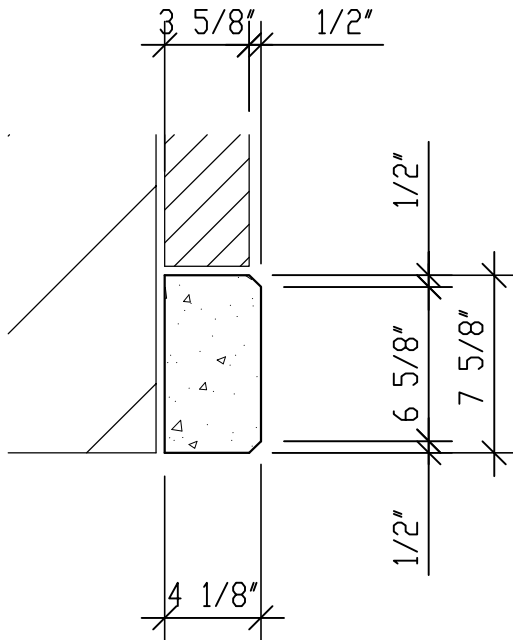


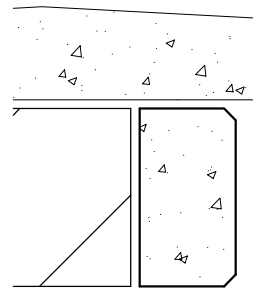
PLAN 1



PLAN 2



SECTION 1



SECTION 2

AnchorArt

Wall panel, 8" high, 1/2" chamfer, return end

quantity

sample

130lbs.

WP08.5C R