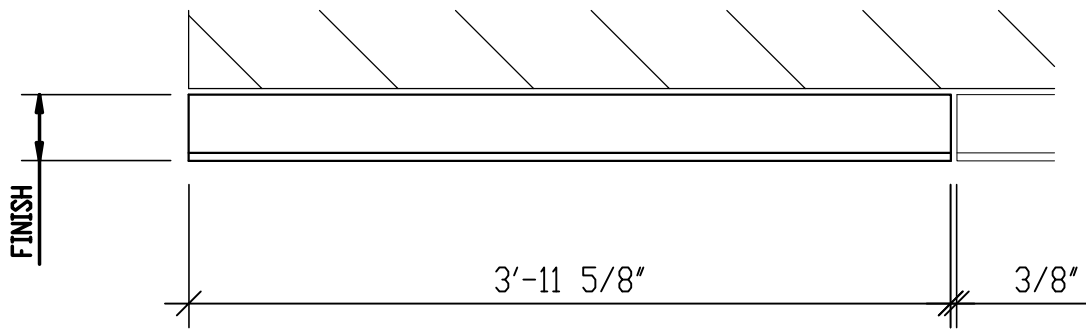
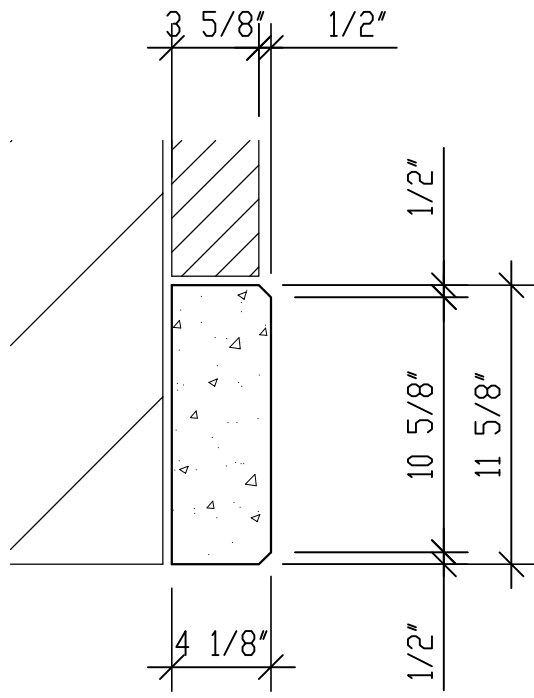


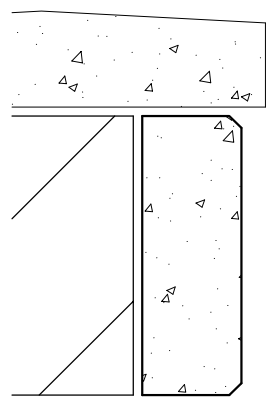
PLAN 1



PLAN 2



SECTION 1



SECTION 2

**AnchorArt**

Wall panel, 12" high, 1/2" chamfer, finished end

quantity	sample	198lbs.	WP12.5C F
----------	--------	---------	-----------