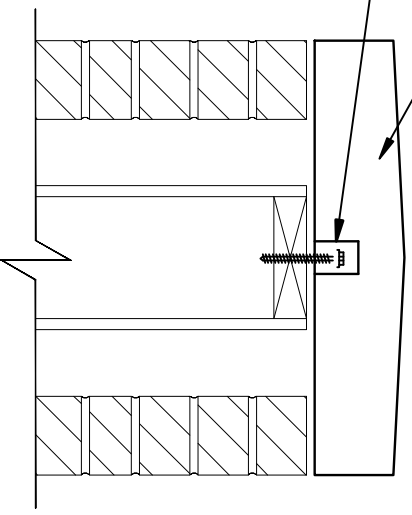


CONNECTION:
LAG SCREW / GRouted SOLID
IN PROVIDED HOLE IN
STONE AND SCREWED INTO
WOOD OR METAL STUD.

REBAR AS REQUIRED



3
CAP

CAP CONNECTION

SCALE: 1-1/2" = 1'-0"

