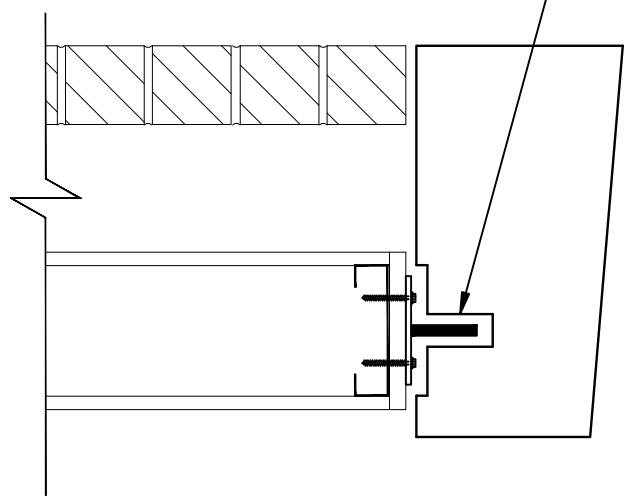


CONNECTION:  
PLATE WITH PRE-WELDED DBA,  
DBA GROUTED IN HOLE IN  
STONE AND PLATE ATTACHED  
TO TOP OF STUD TRACK WITH  
(4) SCREWS, 2 PER PIECE @  
5TH POINTS OF STONE.



6  
CAP

# CAP CONNECTION

SCALE: 1-1/2"=1'-0"

