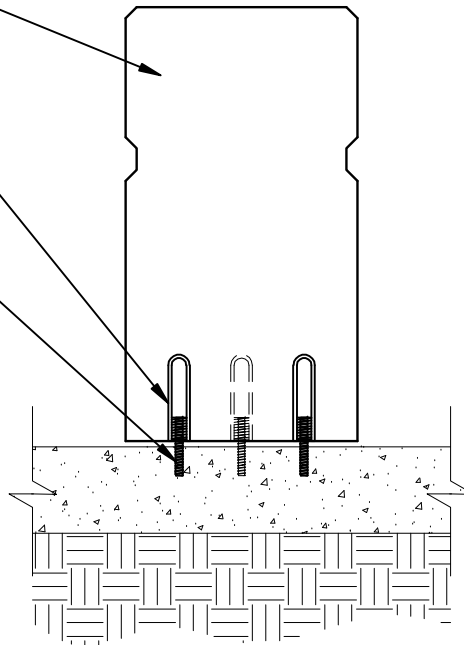


PLAN VIEW

REBAR AS REQUIRED

CONNECTION:
CAST-IN COIL LOOP
INSERT, 2 PER PIECE.

COIL ROD SCREWED INTO
CAST-IN INSERT AND
GROUT INTO FOUNDATION
BELOW.



3 BOLLARD CONNECTION
SCALE: 1"=1'-0"

