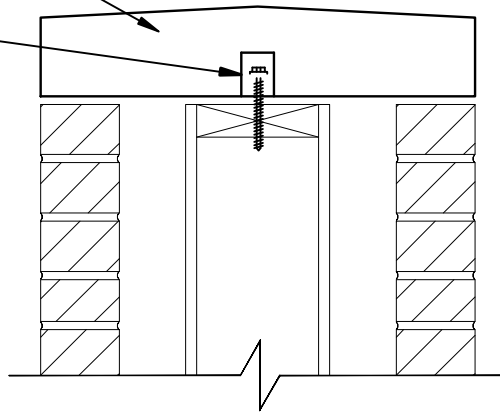


REBAR AS REQUIRED

CONNECTION:
LAG SCREW GROUDED SOLID
IN PROVIDED HOLE IN
STONE AND SCREWED INTO
WOOD OR METAL STUD.



3 CAP CONNECTION
CAP SCALE: 1-1/2"=1'-0"

