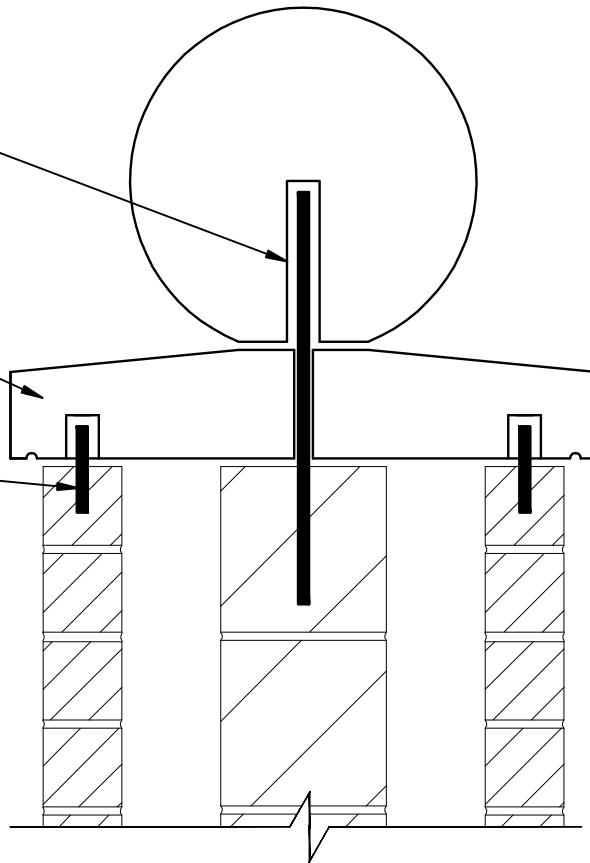


CONNECTION:
DOWEL PIN GROUTED
SOLID IN PROVIDED HOLE
IN STONE AN IN MASONRY
BELOW.

REBAR AS REQUIRED

CONNECTION:
DOWEL PIN GROUTED
SOLID IN PROVIDED HOLE
IN STONE AN IN MASONRY
BELOW.



8 CAP CONNECTION
SCALE: 1-1/2"=1'-0"

