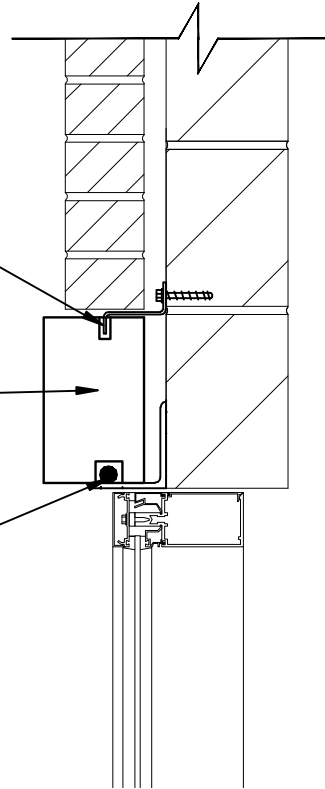


TOP CONNECTION:
L-ANCHORS GROUTED
SOLID IN SLOTS AND
BOLT TO CMU BACKUP.
2 PER PIECE @ 5TH
POINTS.

REBAR AS REQUIRED

BOTTOM CONNECTION:
WELDABLE BAR WELDED
TO BEARING ANGLE AND
GROUTED INTO CAST IN
SLOT ABOVE.



3
LIN

LINTEL CONNECTION

SCALE: 1-1/2"=1'-0"

