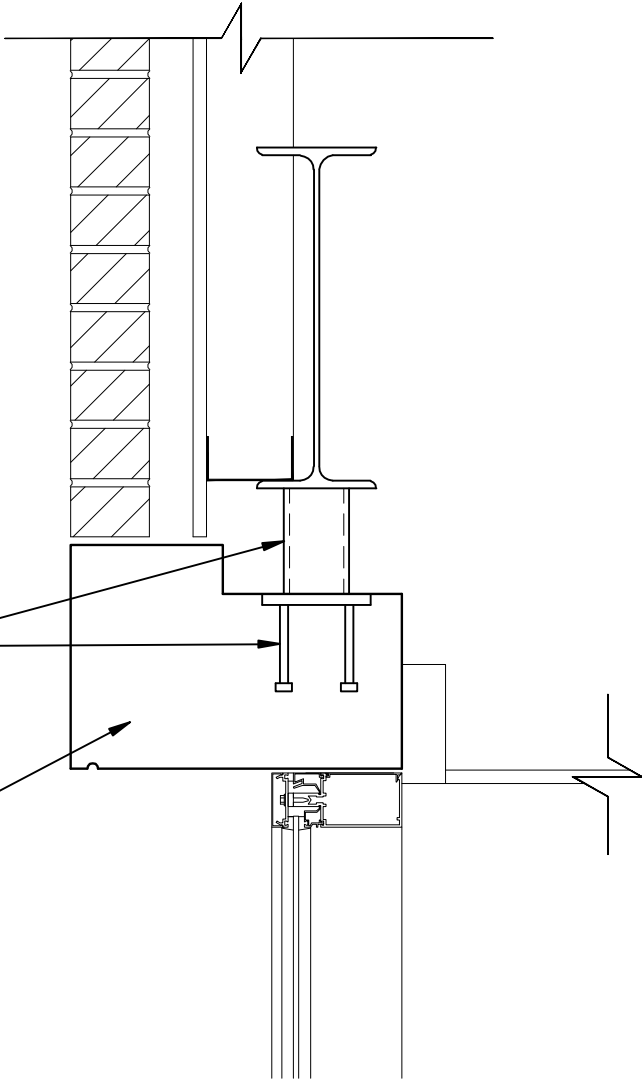


TOP CONNECTION:
CAST IN EMBED WITH
TUBE PREWELDED TO
EMBED. TUBE IS WELDED
TO STRUCTURAL BEAM
IN FIELD (2 PER PIECE)

REBAR AS REQUIRED



4
LIN

LINTEL CONNECTION

SCALE: 1-1/2"=1'-0"

