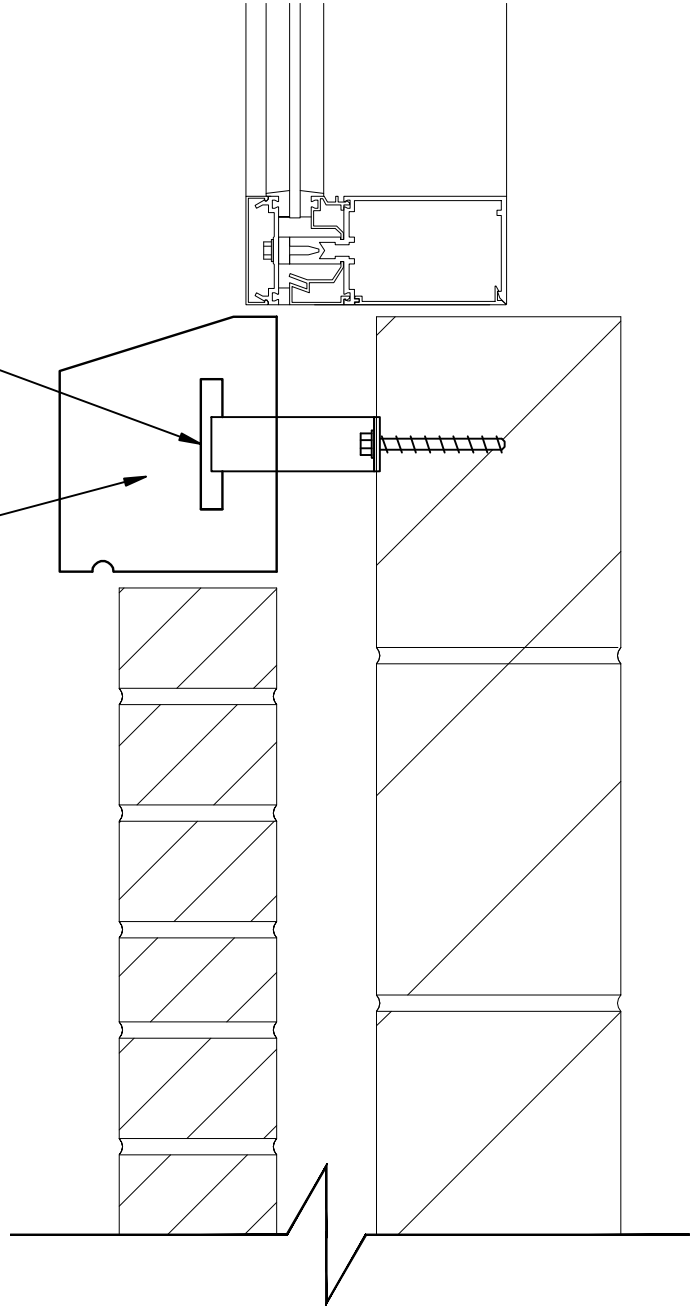


CONNECTION:
L-ANCHOR GROUTED SOLID
INTO SLOT AND BOLTED
TO CMU BACKUP. 1 AT
EACH END OF STONE.

REBAR AS REQUIRED



NOTE:
SILL NEEDS MASONRY OR
STONE ON EACH SIDE FOR
SIDE ANCHORS.

1 SILL CONNECTION
SCALE: 3"=1'-0"

