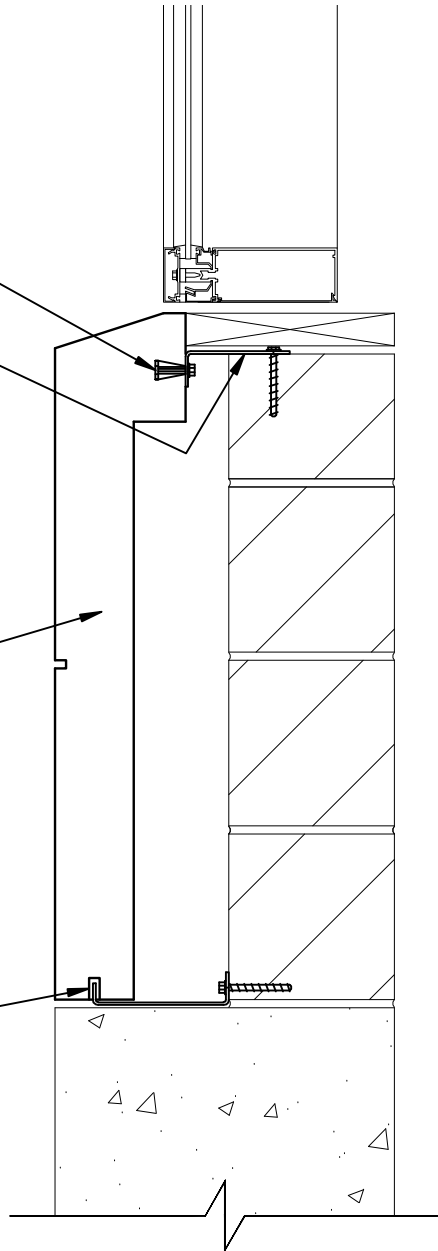


TOP CONNECTION:
CAST-IN INSERT
L-ANCHOR ATTACHED TO
CAST-IN INSERT WITH BOLT
AND BOLTED TO CMU
BACKUP.

REBAR AS REQUIRED

BOTTOM CONNECTION:
L-ANCHOR GROUTED SOLID
IN PROVIDED SLOT AND
BOLTED TO CMU BACKUP.



6
BP

BASE PANEL CONNECTION

SCALE: 1-1/2"=1'-0"

