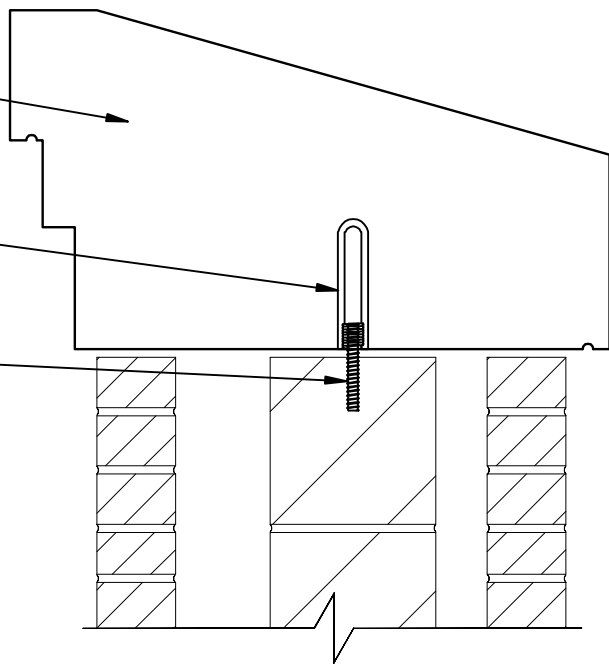


REBAR AS REQUIRED

CONNECTION:
CAST IN INSERT
COIL ROD SCREWED INTO
INSERT AND GROUT SOLID
IN MASONRY BELOW.



2 CAP CONNECTION
SCALE: 1-1/2"=1'-0"

