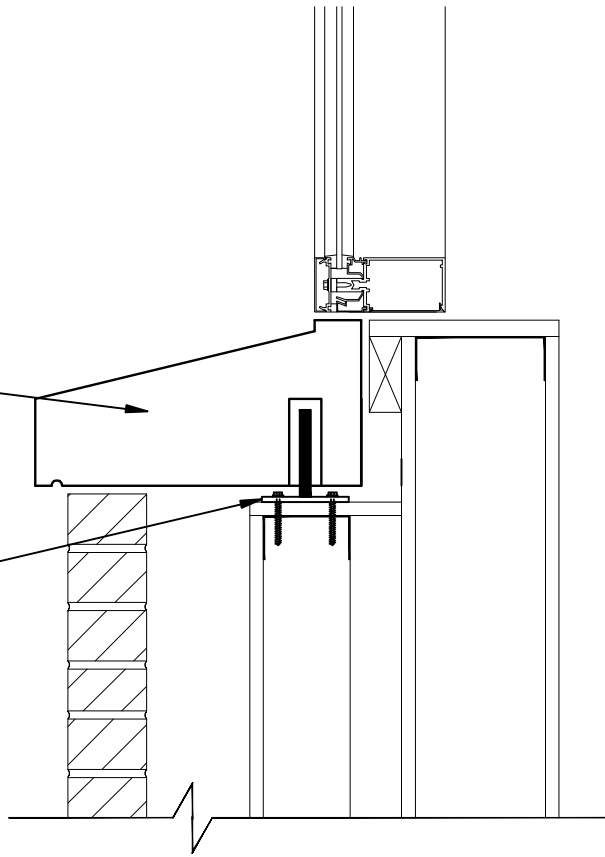


REBAR AS REQUIRED

CONNECTION:
DOWEL PIN AND PLATE
SCREWED TO STEEL STUD
AND GROUTED SOLID IN
HOLE IN STONE.
2 PER PIECE AT 5TH
POINTS IN STONE.



5 SILL CONNECTION
SCALE: 1-1/2"=1'-0"

