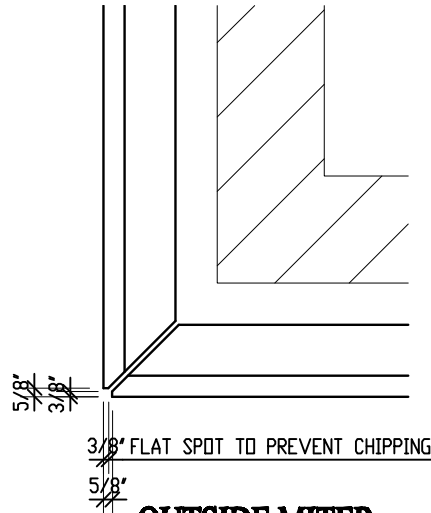
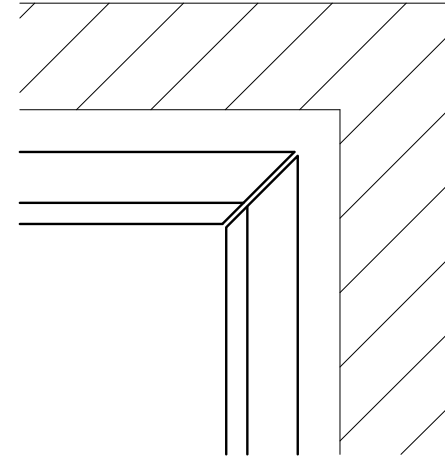


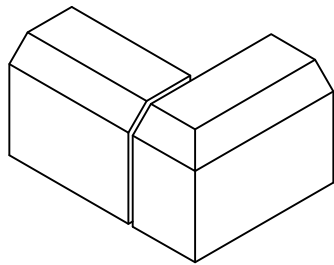
**BUTT JOINT
PLAN VIEW**



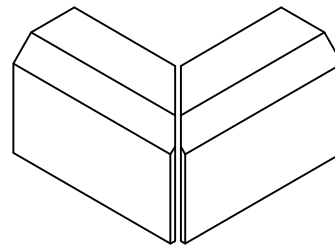
**OUTSIDE MITER
JOINT PLAN VIEW**



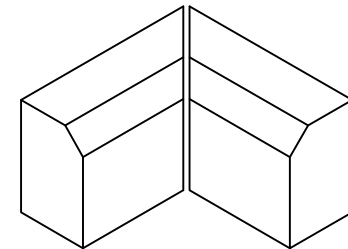
**INSIDE MITER JOINT
PLAN VIEW**



**BUTT JOINT
ISOMETRIC VIEW**



**OUTSIDE MITER JOINT
ISOMETRIC VIEW**



**INSIDE MITER JOINT
ISOMETRIC VIEW**